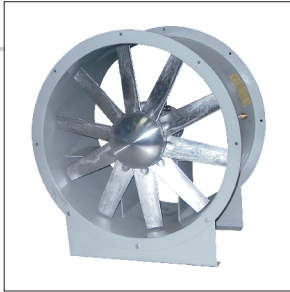


STANDART AXIAL FANS

TAM (INLINE) LONG TYPE FANS



Description:

Range of TAM type fans of fourteen diameters (between Ø250-1000 mm), 5 to 12 blades assembled on three different hub sizes and each blade angle is variable in 12 different combinations, tailored to individual needs. Above Ø1000 mm we may refer TAM MAX series or EMWA series for mid and high air volumes. In the standart version the direction of air flow is :motor to impeller, impeller to motor is optional. The A-B-B0-C-D-E-F-G and H series of performance curves are suitable to use with this type.

Applications:

Long casing is the type widely used in In-line, End-line or Booster operations. Due to ventilation of technical, industrial or commercial premises in general. Particularly TAM type preferred for the most of the standard applications.

Construction:

- The casing is formed from the St 37.2 steel sheets with integral supports. The grey (RAL 7036) paint finish is applied after production, optional hot dip galvanization, furnace paint or epoxy paint is available.
- Long casing covers impeller and electric motor sections.
- The hub is aluminium optional steel, the impellers can be used in this serie are MAX-RA-RP-BP-RS-RSS. For detailed information please look impeller section page 9.
- Produced with circular flanged as standard, square flange models are optional.
- Static and dynamic vibration defects recovered after production according to appropriate ISO norm

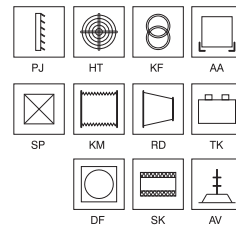
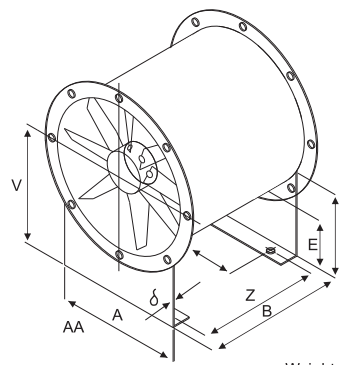
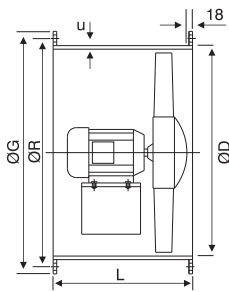
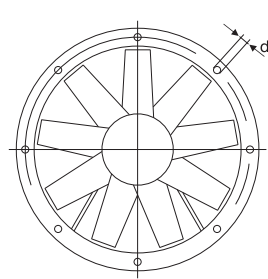
Electric Motors

For detailed information please look electric motor section page 53

Optional Accessories :

All accessories can be used. Please look at page 49 for the wide range of accessories. For the code system look at page 10

Dimensions (mm)

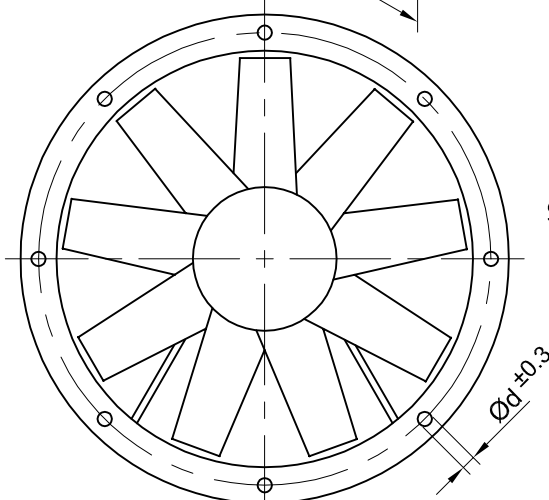
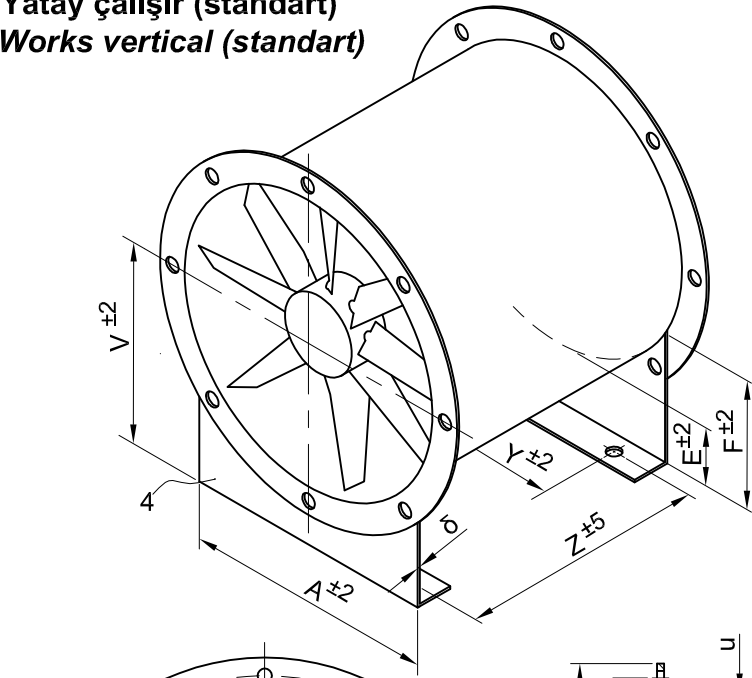


Weights included AA (Mounting feet)

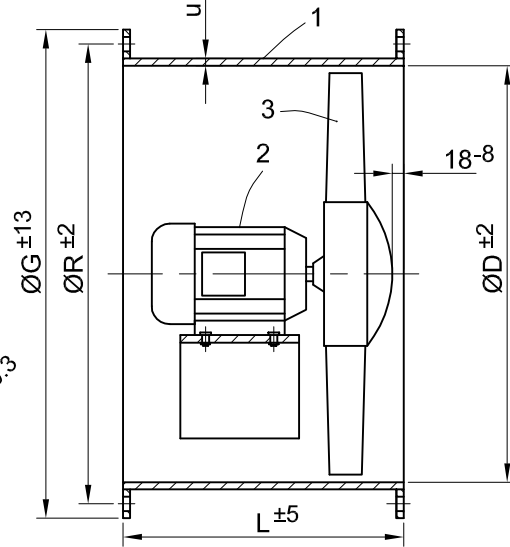
MODEL "TAM"	Dimensions in mm															~Weight	
	ØD	A	B	E	F	V	δ	Y	Z	ØG	L	ØR	u	Ød x Pcs	min. kg.	max. kg.	
Ø250	250	220	330	60	126	187	3	180	284	338	340	298	3	11.5(M10)x8	18	22	
Ø315	330	330	330	60	156	227	3	260	284	418	340	378	3	11.5(M10)x8	22	26	
Ø355	355	320	405	60	158	239	3	280	359	443	415	403	3	11.5(M10)x8	24	36	
Ø400	400	360	455	65	177	267	3	310	413	488	465	448	3	11.5(M10)x8	28	58	
Ø450	450	400	495	67	189	294	4	330	451	520 / 538	500	498	3	11.5(M10)x8	34	84	
Ø500	500	440	534	70	200	322	4	370	476	570 / 588	540	543	3	11.5(M10)x8	36	89	
Ø560	560	490	639	76	222	358	4	410	581	630 / 648	645	603	3	11.5(M10)x8	47	137	
Ø630	630	540	464	81	233	399	4	460	406	710	470	673	3	11.5(M10)x8	46	68	
Ø670	670	570	494	86	246	424	5	2x245	434	750	500	713	3	11.5(M10)x8	53	83	
Ø710	710	600	492	91	255	449	5	2x260	432	790	500	754	4	11.5(M10)x8	71	95	
Ø800	800	670	512	96	276	499	5	2x295	452	880	520	844	4	13.5(M12)x8	87	128	
Ø900	900	740	580	115	310	568	5	2x330	520	1012	600	962	5	15.5(M14)x8	147	188	
Ø1000	950	800	700	120	327	583	8	2x360	634	1062	720	1012	5	15.5(M14)x8	213	274	
Ø1000	970	800	700	120	336	593	8	2x360	634	1082	720	1032	5	15.5(M14)x8	215	329	
Ø1000	1000	800	700	120	336	608	8	2x360	634	1112	720	1062	5	15.5(M14)x8	218	280	

if Lama flanged casing of Ø D= 450, 500, 560 produced self flanged: Ø D= 460, 510, 570

Yatay çalışır (standart)
Works vertical (standart)



- 1) Kaset (St. 37.2) Casing
2) Motor (Ayaklı Tip) Motor Included Foot
3) Fan (RP, RA, Max.) Fan
4) Aksesuar:AA Ayak - Accessory:AA Footing (optional)



MODEL "TAM"	ÖLÇÜLER Dimensions in mm														~Ağırlık ~Weight	
	ØD	A	E	F	V	δ	Y	Z	ØG	L	ØR	u	Ød x adet Ød x Pcs	min. kg.	max. kg.	
250	250	220	58	120	187	3	180	284	338	340	298	3	11.5(M10)x8	18	22	
315	330	330	58	190	227	3	260	284	418	340	378	3	11.5(M10)x8	22	26	
355	355	320	58	153	239	3	280	359	443	415	403	3	11.5(M10)x8	24	36	
400	400	360	60	168	264	3	310	413	488	465	448	3	11.5(M10)x8	28	58	
450	450	400	60	177	289	4	330	451	510 / 538	500	498	3	11.5(M10)x8	34	84	
500	500	440	60	187	314	4	370	476	560 / 588	540	543	3	11.5(M10)x8	36	89	
560	560	490	60	200	344	4	410	581	620 / 648	645	603	3	11.5(M10)x8	47	137	
630	630	540	60	209	379	4	460	406	710	470	673	3	11.5(M10)x8	46	68	
670	670	570	60	215	399	5	2x245	434	750	500	713	3	11.5(M10)x8	53	83	
710	710	600	60	221	420	5	2x260	432	790	500	754	4	11.5(M10)x8	71	95	
800	800	670	60	237	465	5	2x295	452 / 482	880	520 / 550	844	4	13.5(M12)x8	87	128	
900	900	740	70	260	525	5	2x330	520	1010	600	962	4	15.5(M14)x8	132	173	
1000	950	800	70	285	550	5	2x360	634	1060	720	1012	4	15.5(M14)x8	186	303	
	970	800	70	277	560	5	2x360	634	1080	720	1032	4	15.5(M14)x8	187	247	
	1000	800	70	267	575	5	2x360	634	1110	720	1062	4	15.5(M14)x8	189	306	
(a)	1120	1120	950	70	328	636	6	2x435	755	1232	865	1182	5	15(M14)x16	230	237
(b)	1250	1250	1000	70	316	701	6	2x460	900	1362	1000	1312	5	15(M14)x16	286	296
(b)	1400	1400	1120	70	346	776	6	2x520	940	1512	1000	1472	5	15(M14)x16	386	397
(b)	1500	1500	1250	70	401	826	6	2x585	930	1612	1000	1562	5	15(M14)x24	438	450
(b)	1600	1600	1500	80	589	887	6	2x710	930	1734	1000	1664	6	18(M16)x24	526	543

- (a) L = max 180M gövdeye göre, ölçüler elektrik motoru tipine göre değişiklik gerektirebilir.
L = max for body 180M, dimensions can be vary according to electric motor type.
(b) L = max 225S gövdeye göre, ölçüler elektrik motoru tipine göre değişiklik gerektirebilir.
L = max for body 225S, dimensions can be vary according to electric motor type.

- Ağırlıklara AA (Ayaklar) dahildir.
Weights included AA (Mounting feet).
- Ağırlıklar motor kataloglarındaki yaklaşık ağırlıklara atıf yapılarak hazırlanmıştır.
Weights are bound to the approximate weights in motor catalogues.
- Ağırlıklar optimum şartlara göre kabul edilmiştir.
Weights are choosen for optimum conditions.
- (a)ve(b) ağırlıkları motorsuzdur.
(a)and(b) weights are without motor.
- Teknik özellikleri değiştirme hakkımız saklıdır.
The continuous improvement of EMAK Products can cause some variations in the informations included in this Page.

Şirketimiz izni olmadan kullanılamaz.

This Drawing can not be used without EMAK's written permission.

Tarih Date	Değişiklikler Revisions
15.09.2008	Ölçü revize edildi. Dimension revised.
17.06.2010	Yeni Modeller eklendi. New models added.
29.11.2010	Ölçüler revize edildi. Dimensions revised.
18.01.2011	Ayak ölçüleri revize edildi. Foot dimensions revised.

ÇİZEN Drawn	TARİH Date	ADI SOYADI Name
KONTROL Control	03.03.2006	YUSUF ALİ ARSLANALP
ÖLÇEK Scale	BAKIŞ Projection	



TAM (Uzun) Tip Kasetli Axial Fan - Ayaklı
(Long) Type Axial Fan Casing - With Footing

RESIM NO Dwg No

PL 3611I