



## GENERAL SPECIFICATIONS

- All plastic constructed Fans are especially used in acidic places (Polypropylene resists to -15 / +80°C) Optional, PE - Polyethylene models are available to use at temperatures between -70 / +70 °C. Fan-Motor foundation is made of AISI 304 Stainless Steel or epoxy protected steel ST 37.2
- Fan diameters according to model between Ø200mm to Ø456mm with 15 different combinations. Air volume is maximum 10.000 m<sup>3</sup>/h and static pressure is maximum 110 mmWG.

## SPECIFIC SPECIFICATIONS

### APPLICATIONS

Especially it is used in acidic places. A wide range is covered with 15 different combinations.

### CONSTRUCTION

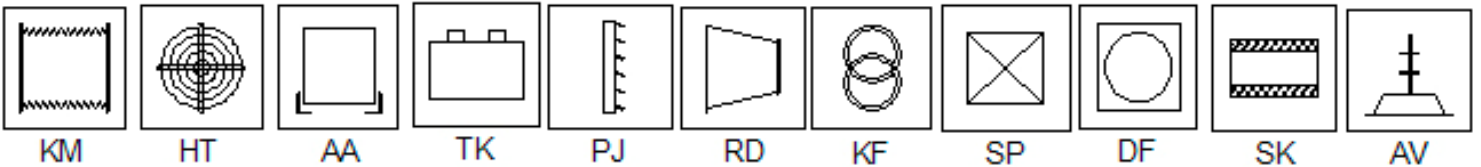
Polypropylene or optional PE - Polyethylene. Construction. Fan-Motor foundation is made of AISI 304 Stainless Steel or epoxy protected steel ST 37.2 upon request.

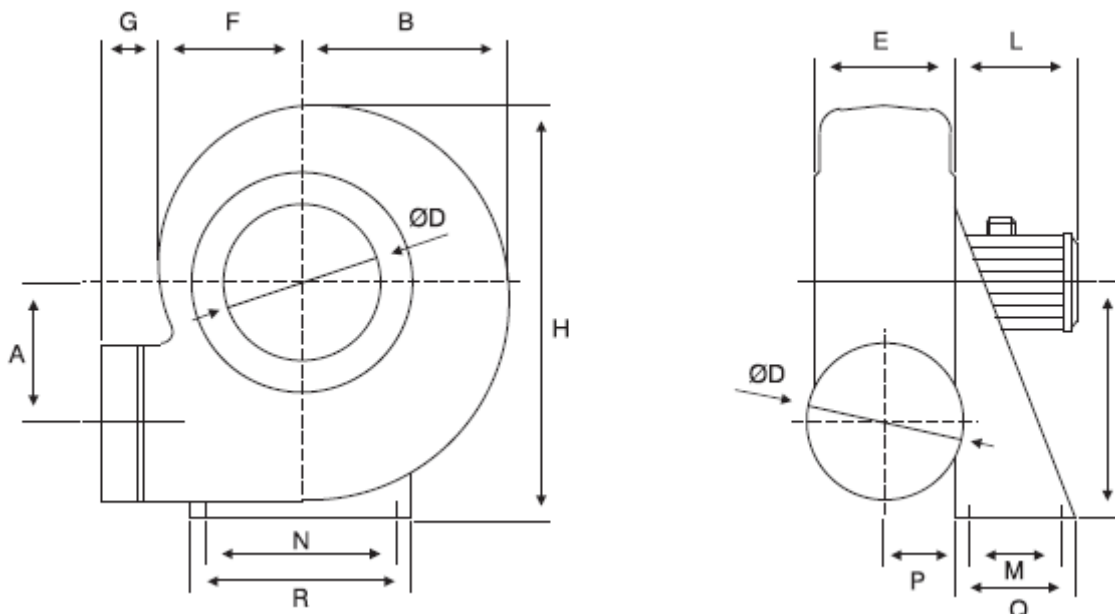
### ELECTRIC MOTORS

PP - PE series are direct driven.

### ACCESSORIES

You can use following accessories with PP Centrifugal Fan Models :





TYPE	POWER INPUT (kW)	SPEED (RPM)	DIMENSIONS IN MM														WEIGHT (MOTOR INCLUDED)
			A	B	ØD	E	F	G	H	I	L	M	N	P	Q	R	KG
P 20	018	2800	140	180	160	150	138	60	370	250	190	100	195	95	140	225	10
P 25	012 037	1400 2800	183	228	200	180	170	80	465	310	190 210	100	252	110	140	282	10
P 28	018 075	1400 2800	208	255	225	190	190	80	520	350	190 232	120	277	120	190	312	17 22
P 31	018 025 1.50	900 1400 2850	240	280	250	200	210	80	580	410	210 210 245	150	315	140	230	350	24 23 31
P 35	018 037 2.2	900 1400 2800	260	312	280	220	230	80	640	445	210 210 270	150	345	150	230	380	28 28 38
P 40	055 025	1420 920	290	352	315	240	264	80	723	495	232 210	170	325	160	250	425	38 34
P 45	1.1 037	1420 920	324	392	355	265	290	80	810	550	245 232	170	370	173	250	470	46 37



**CAPACITY TABLE**

**STATIC PRESSURE (mmWG)**

TYPE	POWER INPUT (kW)	AIR FLOW																SOUND LEVEL db(A)											
		300	360	420	480	540	600	640	720	840	960	1080	1200	1340	1500	1680	1860		2100	2400	2700	3000	3360	3780	4260	4800	5400	6000	6720
PP 202	0,18																												
PP 252	0,37																												
PP 282	0,75																												
PP 312	1,5																												
PP 352	2,2																												
PP 254	0,12																												
PP 284	0,18																												
PP 314	0,25																												
PP 354	0,37																												
PP 404	0,55																												
PP 454	1,1																												
PP 316	0,18																												
PP 356	0,18																												
PP 406	0,25																												
PP 456	0,37																												