



## GENERAL SPECIFICATIONS

- For the applications where low noise level and high air flow rate is essential.
- Sizes of the EM type belt driven fans in four models EM 50-45-36-30.
- The Impeller section is formed CAD/CAM operated machines with AISI 316 Stainless Steel material. The body, louver and wire guards are formed St 37 galvanized steel. The louver section is automatically opens when Fan operated.
- The assembling to your application is easy, because the prismatic fan construction.
- Static and dynamic vibration defects are recovered after production according to appropriate ISO norm.

## SPECIFIC SPECIFICATIONS

### APPLICATIONS

For the applications where low noise level, high air flow rate is essential. Automatic front shutters prevents air bypass during the fan is switched off. Additionally EM type is appreciated for corrosive and dusty environments.

### FAN CASING

The Impeller section is AISI 316 Stainless Steel. The body, louver and wire guards are formed from the St 37 galvanized steel sheets. Protective drain holes opened disallow the water accumulation inside the casing.

### IMPELLERS

Belt driven impeller is stainless steel and produced in CAD/CAM operated machines.

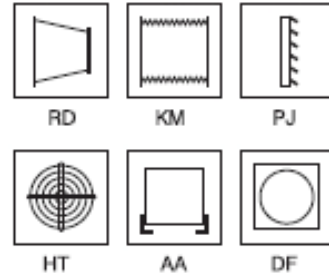
### ELECTRIC MOTORS

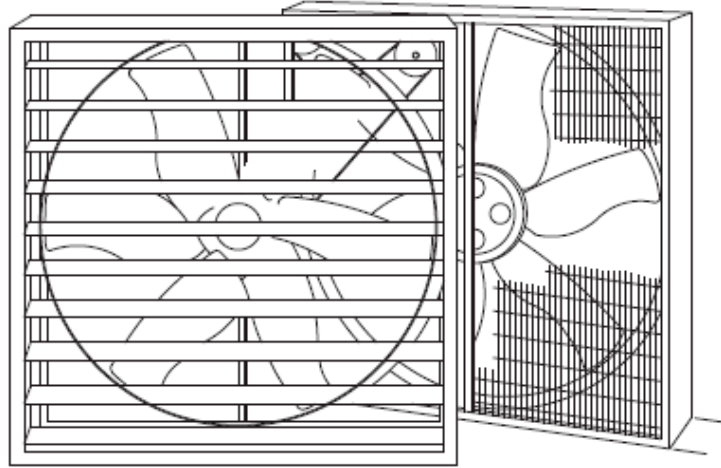
Electric specifications can be three-phase as 380 V [400/415] – 50 Hz [standard], 440 V – 60 Hz and other necessary voltages are possible. Standard motor protection is class is F, S1, with IP 55 enclosure, electric motor is belt driven.

### ACCESSORIES

EM model is delivered with, Automatic louver, wire guards on both sides as standard .

The other accessories you may ask :





Type	Rpm	Rated Output kW - HP	Sound Level db(A)	Air Flow m3/h	Impeller	Casing	Dimensions (mm)
EM 50	387	1.1 - 1.5	67	40.000	Stainless Steel	Galvanized Steel	1380 x 1380 x 420
EM 45	387	0.55 - 0.75	65	26.000	Stainless Steel	Galvanized Steel	1150 x 1150 x 420
EM 36	387	0.37 - 0.5	63	15.000	Stainless Steel	Galvanized Steel	960 x 960 x 420
EM 30	387	0.37 - 0.5	63	10.000	Stainless Steel	Galvanized Steel	810 x 810 x 420



**AXIAL FANS CODING SYSTEM**

**G3      RP      TAM      HT+AA+GALV**

**Fan Type**

- A Series
- B0 Series
- B Series
- C Series
- D Series
- E Series
- F Series
- G Series
- H/I/J Series
- K/L/M Series

**Impeller Type**

- RP/BP MODEL (PP Plastic)
- RA MODEL (All Aluminium)
- RS MODEL (Steel Blade)
- RSS MODEL (Stainless Steel)

**Casing Model**

- TAM-TAM MAX Type : (Inline) Long Type
- DTK Type : Short (Wall Type) Type
- CTF Type : Roof Type
- KF Type : Compact Series
- URF Type : Roof Type (with Builtn in Damper)
- AEX Type : Ex-proof Type
- HYF Type : Hermetic Belt Driven Type
- BCF Type : Bifurcated Type
- EM Type : Low Noise Level Series
- STF Type : Portable Fan Series
- EFF Type : Smoke Exhaust Type
- MS-JET : Multi stage jet fans
- HAF : Celled Type Axial Series
- MTH : Marine Type Fans
- AX : Belt Driven Type

**Accessories**

- SP : Access Door
- PJ : Fixed Blade Louver
- HT : Wire Guards
- KF : Matching Flange
- DF : Square Flange
- AA : Mounting Feet
- KM : Flexible Connector
- RD : Cones
- GV : Guide Vane
- DAD : Geared Damper
- GAD : Damper with linkage arms
- GDD : Backdraft Damper
- HDD : Heavy Duty Damper
- SK : Silencer
- GALV : Hot Dip Galvanize
- AV : Anti Vibration Mountings